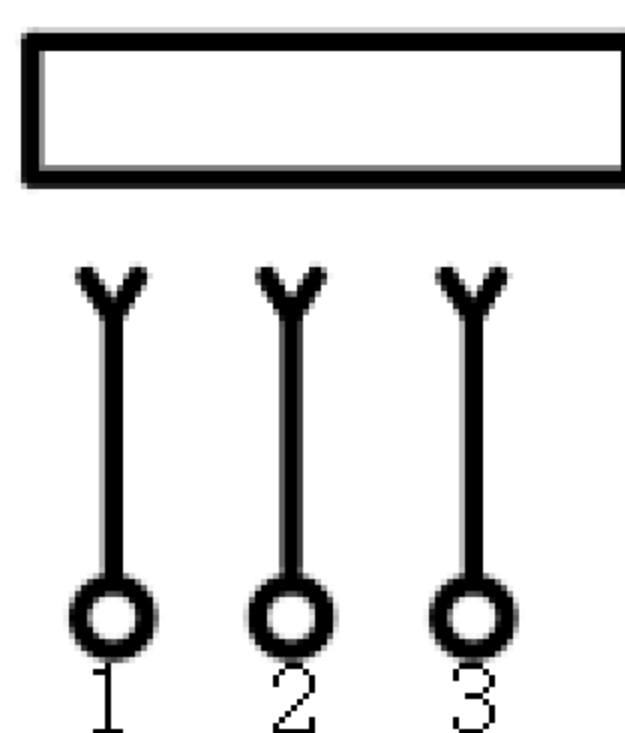


电路原理图
SCHEMATIC



主要技术特性要求:

- 使用条件:
环境温度: $-25^{\circ}\sim 70^{\circ}$
相对湿度: 95% (40°)
- 额定负荷: 500VAC 1到3号为15A,
4到6号为3A.
- 接触电阻: $\leq 10\text{m}\Omega$
- 绝缘电阻: $\geq 10\text{M}\Omega$
- 耐压: 800V AC (50Hz) 1min
- 插拔力: 15-50N
- 寿命: 200次

 东莞市高迪电子有限公司
DONG GUAN GAO DI ELECTRONICS CO., LTD

TOLERANCE UNLESS OTHERWISE STATED:
Up to 5 ± 0.2
Above 5 ~ 15 ± 0.3
Above 15 ~ 30 ± 0.4
Above 30 ~ 50 ± 0.5
Angle $\pm 0.3^{\circ}$

3RD. ANGEL'S

UNITS MM

| | | | | |
|--------------|----------|-----------|----------|-----------------|
| DRAWN BY: | DATE | MAT'L | TITLE | CONNECTOR |
| Jack Lu | 12/13/19 | | | |
| CHECKED BY: | DATE | FINISH | MODLE | GD-TX-M10-3-M34 |
| Jacky Chen | 12/13/19 | | | |
| APPROVED BY: | DATE | SCALE | DWG NO. | |
| Tony Kao | 12/13/19 | 1:1 | | |
| | | SHEET NO. | PART NO. | |
| | | 1 of 1 | | |